

**INSTRUCTIONS FOR INSTALLING AN ACTUATOR ARM ASSEMBLY KIT
(P/N 1459040) IN A NATIONAL VENDORS® SNACKTRON 1"
MERCHANDISER**

**CHECK THE PARTS RECEIVED IN THE KIT WITH THE PARTS LIST
IN THESE INSTRUCTIONS. IF ANY PARTS ARE MISSING, CONTACT
NATIONAL VENDORS' PARTS DEPARTMENT IMMEDIATELY.**

This kit contains the following:

Part Number	Description	Quantity
1459041	Installation Instructions	1
1459037	Drive Arm Stud	1
1459039	Actuator Arm Assembly	1

A. REMOVAL

1. Open the merchandiser door and pull out the Vertical Gum and Mint Assembly.
2. Remove the Gum and Mint Motor Assembly as shown in Figure 1.

3. Disassemble the Gum and Mint Motor Assembly. See Figure 2.

B. INSTALLATION

1. Assemble the Gum and Mint Motor Assembly using the parts included in this kit. See Figure 2.
2. Reinstall the Gum and Mint Motor Assembly. See Figure 1.
3. Reverse step A1. Make several test vends and place the Merchandiser back into service.

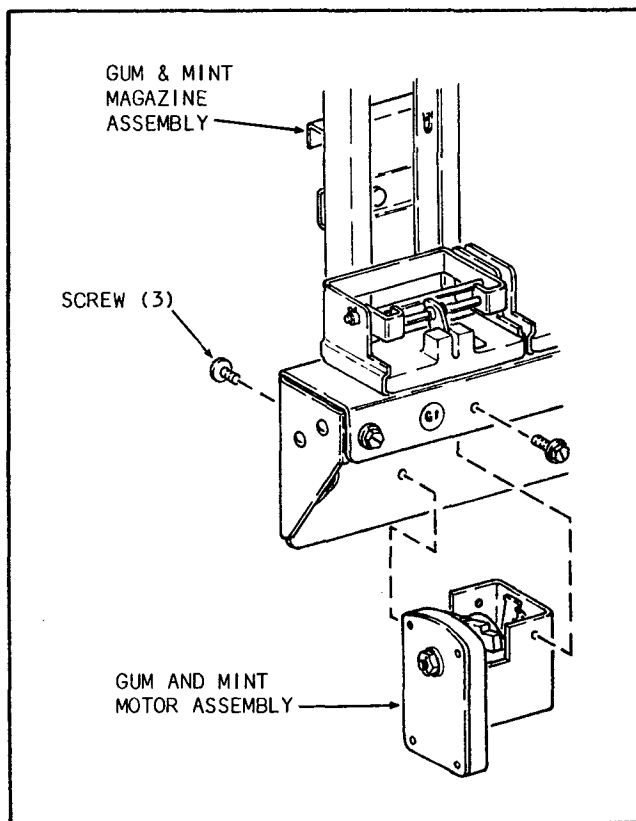


FIGURE 1

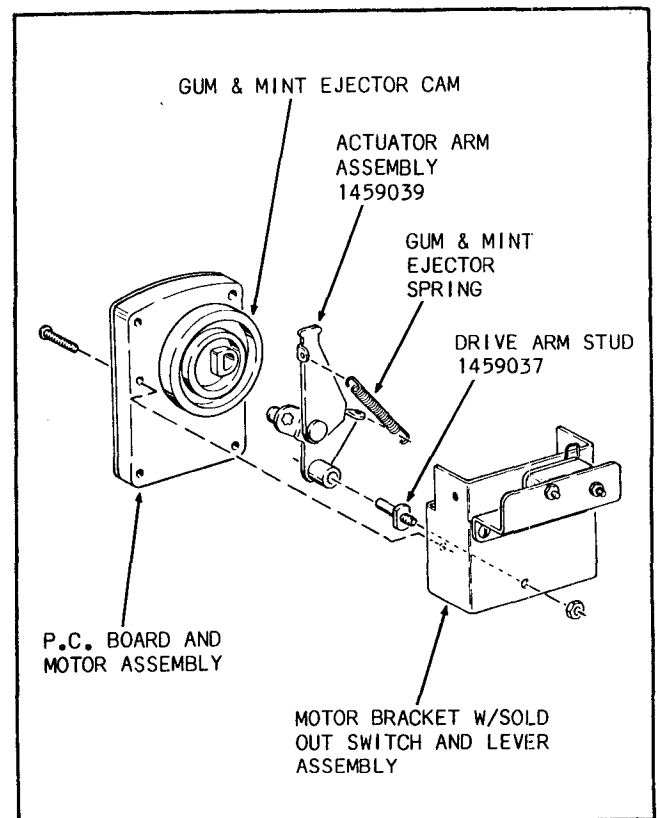


FIGURE 2